



MATERIAL ROLL RACK LS-1/K

Material roll rack LS-1/K with a basket designed for one roll.

Key features:

- Universal roll racks designed for fabric roll storage or feeding.
- Frame made of closed steel profiles and powder-coated tubes.
- Tubes equipped with special cones that can be blocked to fix the roll.
- Tubes are placed in special slots between wheels on bearings.
- (Optional) Special brake system to prevent self-unwinding of the fabric rolls.
- Non-standard roll racks are available on request.

Specifications:

Model: LS-1/K

Maximum roll width: 1800 mm (70.86")

Maximum roll diameter: 800 mm (31.49")

Maximum roll weight: 120 kg (264.5 lbs)

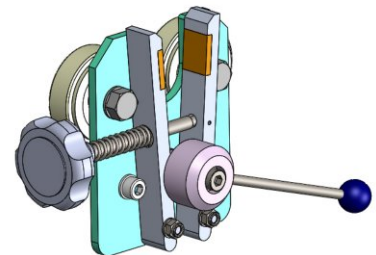
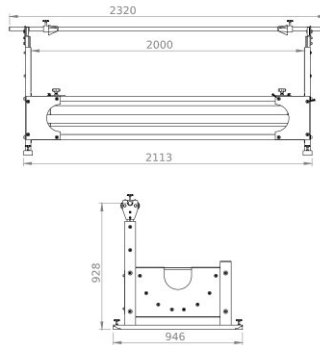
Maximum roll quantity: 1

Roll brake system (optional): No

+48 697 530 240
+48 61 876 89 46
info@rexelpoland.com



Scan the code



hamulec (opcja)
break (optional)
тормоз (опция)